

# AD-Series

## AD-200/250/300/400-CY

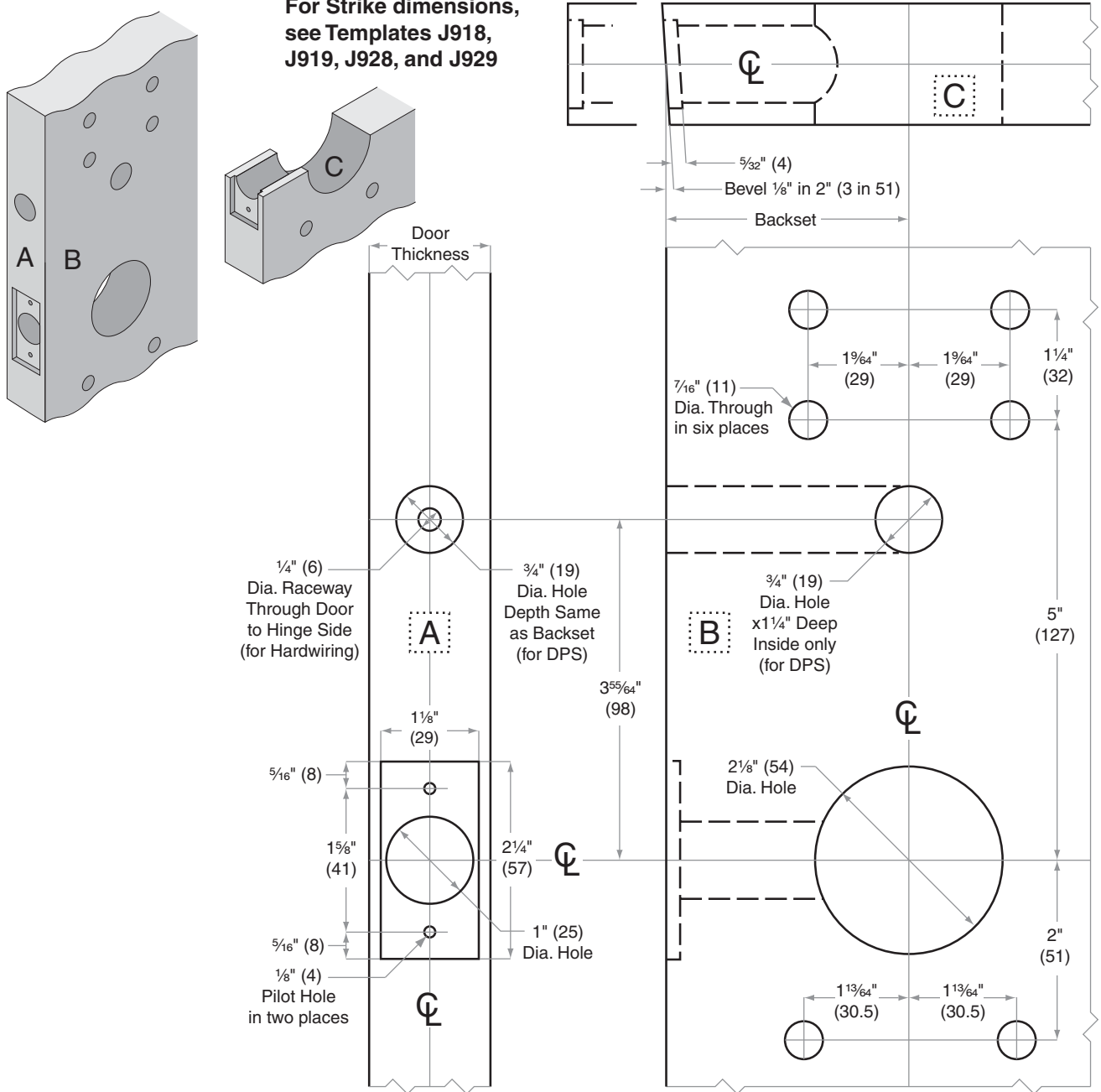
**Door Type:** Wood or Composite, Flat or Beveled

Conforms to ANSI BHMA A156.115-W

**Door Thickness:** 1<sup>3</sup>/<sub>8</sub>" (35 mm) – 2<sup>3</sup>/<sub>4</sub>" (70 mm)

**Faceplate:** Square Corner, 1<sup>1</sup>/<sub>8</sub>" (29 mm) wide

**Backsets:** Standard: 2<sup>3</sup>/<sub>4</sub>" (70 mm) | Optional: 2<sup>3</sup>/<sub>8</sub>" (60 mm), 3<sup>3</sup>/<sub>4</sub>" (95 mm), 5<sup>3</sup>/<sub>4</sub>" (146 mm)



Dimensions shown in parentheses () are in millimeters

Template is not to scale.

**Job:** \_\_\_\_\_

**TEMPLATE**

**Date:** \_\_\_\_\_

**Door Thickness:** \_\_\_\_\_

**AD101**

**Remarks:** \_\_\_\_\_