



AD-200 Offline Electronic Lock

AD-Series electronic locks from Schlage are designed to be modular and provide more options to choose from, more functionality in the lock and more compatibility with existing systems. Its patent-pending modular design allows the lock to be customized to fit the needs of an application now, and can change to meet future needs without removing it from the door.

Factory orderable options include choices of credential readers, chassis type, network configurations, locking functions, power options, lever styles and finishes. It also offers a wide selection of features that can be configured in the field to customize your openings.

The AD-200 is a simple, economical solution if no access control system currently exists in facility, or for openings that don't require the control of a networked solution. The AD-200 is easily upgradable to a networked lock if requirements change in the future.

On all AD-Series offline locks, Schlage has built in many of the incremental features needed in a networked system such as request-to-exit and -enter sensors, interior cover tamper guard, as well as the door position switch. This way, if the customer chooses to network this opening in the future, all the components will be there to make the transition an easy one.



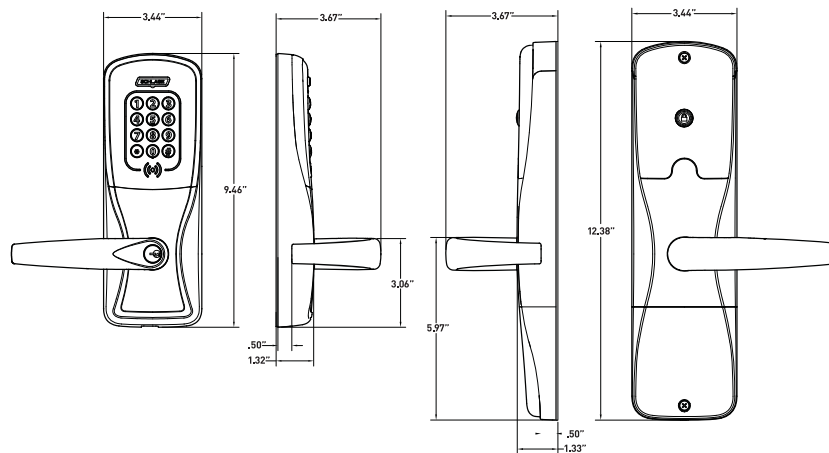
Features

- Security that's more intelligent and convenient than traditional mechanical locking devices
- Audit trail reports that allow you to track usage and events
- Update users and access rights at the lock using the keypad or handheld device
- The ability to upgrade to a networked solution without removing the lock from the door
- Available in cylindrical, mortise, mortise with deadbolt and exit trim
- Compatible with major brands of master key systems and exit devices

AD-200 Electronic Lock Specifications	
Users	Up to 5,000
Audits	Up to 5,000
Credential Verification Time	≤ 1 second
Visual/Audible Communications	Tri-colored LED's & audible indicators (field configurable)
System Interface	Handheld Device
Power Supply	4AA, 8AA, 12 VDC or 24 VDC
Voltage Range	4 VDC to 26 VDC
Max Current Requirement	Up to 250 mA
Battery Life	Up to 2 yrs with 4AA (8AA option available for extended battery life)
Operating Temperature - Exterior	-31° to 151°F (-35° to 66°C) (no battery)
Operating Temperature - Interior	32° to 120°F (0° to 49°C) (battery)
Operating Humidity	0 - 100% condensing
Certifications	ANSI/BHMA A156.25 Grade 1, UL294*, UL10 C, FCC Part 15, ADA, RoHS
Accessories	Handheld Device (HHD)

*Pre-launch datasheet. UL294 certification pending. Certification will be achieved prior to shipment.
 **Activation based on capabilities of access control software.

Dimensions



Functions

- ▶ Classroom/Storeroom
- ▶ Office
- ▶ Privacy
- ▶ Apartment

Note: Office function not available with Mortise Deadbolt option. To ensure safety all functions always allow for free egress.

Standard Status Signals

- ▶ Lock/Unlock Status (Clutch Position)
- ▶ Request-to-Exit Switch**
- ▶ Door Position Switch**
- ▶ Mechanical Key Override
- ▶ Deadbolt Position**
- ▶ Interior Cover Tamper Guard**
- ▶ Battery Status
- ▶ Request-to-Enter**

Schlage Utility Software on Hand Held Device

The Schlage Utility Software (SUS) on the Hand Held Device (HHD) provides an easy way to manage people, audits and locks for simple access control management.

Schlage Utility Software

- Initialize Lock and Accessories
- Field Configure Devices
 - Credential Reader Formats
 - Lock Function
 - Unlock Period
 - Failure Mode
 - Audible Alarm ON/OFF
- Service & Diagnostics
 - Battery Status
 - Validate hardware and software revision
 - Troubleshooting Status Signals

HHD

- 3.5 in LCD display
- Touch Screen/Keypad Backlit
- 32-bit processor
- OS: Windows Mobile 5.0
- Memory: 128 MB RAM/256 MB ROM
- Battery: Rechargeable 3.7 v, 1,230 mA, Li-ion
- Dimensions: 5.3" x 2.9" x 0.7" (13.5 cm x 7.3 cm x 1.8 cm)
- Weight: 0.42 lbs. (190 g)
- 4 ft. (1.2 m) drop to steel surface, 2 drops per 6 sides



The HHD connects with AD-Series locks via the USB interface

Mechanical Specifications		
Chassis	Cylindrical (Based on Schlage ND-Series)	Mortise (Based on Schlage L-Series)
Handing	Handed to Order, Field Reversible	
ANSI Standard	Meets or exceeds A156.25 and A156.2 Series 4000, Grade 1 strength and operational requirements	Meets or exceeds A156.25 and A156.13 Series 1000, Grade 1 Operational and Security
Door Thickness	1-3/4" standard, 1-3/8" to 2-3/4" optional (available in 1/8" increments)	
Backset	2-3/4" standard, 2-3/8", 3-3/4" and 5" optional	2-3/4" only
Latch Bolt	1/2" throw security latch standard 3/4" throw optional	3/4" throw with anti-friction tongue standard 1" throw deadbolt on Mortise Deadbolt option
Levers	Pressure cast zinc, plated to match finish symbols	Steel, plated to match finish symbols
Strike	ANSI curved lip strike 1-1/4" x 4-7/8" x 1-3/16" lip to center standard, optional strikes, lip lengths and ANSI strike box available	ANSI curved lip strike 1-1/4" x 4-7/8" x 1-3/16" lip to center with dust box standard, optional strikes lip lengths available
Cylinder & Keys	6-pin Everest C123 keyway cylinder with two patented keys standard Additional options available including SFIC, FSIC and competitor brands	

AD-Series Exit Trim

The AD-Series Exit Trim (installed with a universal mounting plate) is compatible with the following exit devices:

- Von Duprin 98/99**
Rim, Concealed Vertical Rod, Surface Vertical Rod, Mortise. Request-to-Exit Switch optional for future network migration.
- Von Duprin 22/22F**
Rim, Surface Vertical Rod
- Falcon 25** - Rim
- Sargent 80 Series** - Rim
- Corbin Russwin 5000 Series** - Rim
- Yale 7000** - Rim
- Dorma 9000** - Rim

Reader Specifications			
	Multi-Technology*	Smart Card*	Proximity
Frequency or Track	125 kHz proximity and 13.56 MHz smart card	13.56 MHz	125 kHz
Standards	ISO 15693 and ISO 14443		None
Maximum Read Range	up to 0.75"		
Compatibility (secure sector)	Schlage, XceedID ISO-X, MIFARE, ISO-X Lite, my-d, DESFire 8-EV1		
Compatibility (serial number only)	MIFARE, DESFire, iCLASS, Inside Pictotag, ST Micro, TI Tagit		Schlage, XceedID, HID, GE/CASI ProxLite and AWID
Compatible Schlage Credentials	Reads same credentials as AD-Series smart card and proximity readers	13.56 MHz Clamshell (SXF9420 & SXF9440), 13.56 MHz Smart card ISOX or MIFARE Glossy White (SXF9520, SXF9540, SXF9551, SXF9558 & SXF9574), 13.56 MHz Key Tag (SXF9640 & SXF9651), 13.56 MHz PVC Patch (SXF9740, SXF9751 & SXF97), Schlage EV1	125 kHz Clamshell Proximity (SXF7410), 125 kHz ISO Card Proximity (SXF7510), 125 kHz ISO Card w/ Magnetic Stripe (SXF7510M5)
Certifications/Standards	FCC, Canadian FCC, UL294 Listed,** ISO 15693 and ISO 14443	FCC, Canadian FCC, UL294 Listed,** R&TTE Directive (15 EU Countries), CE Mark	FCC, Canadian FCC, UL294 Listed,** R&TTE Directive (15 EU Countries), CE Mark
Style/Layout	Option for 12-button, 3x4 matrix backlit keypad		

Additional Readers

Magnetic Stripe

- Triple Track Reader (1, 2 or 3), field configurable
- Illuminated Card Slot
- ABA, ISO76XX Standard
- Reader can be cleaned without removing lock from door
- Option for 12 button, 3x4 matrix backlit keypad

Keypad

- Backlit keypad
- 12 button, 3x4 matrix

*Smart Card functionality dependant on access control software. Schlage SMS Select, Premier and Enterprise offer Smart Card functionality.
**Pre-launch datasheet. UL294 certification pending. Certification will be achieved prior to shipment.

Available AD-Series Reader Modules



- Proximity
- Smart Card
- Multi-Technology
- + KEYPAD



- Proximity
- Smart Card
- Multi-Technology



- Magnetic Stripe
- + KEYPAD



- Magnetic Stripe



- Keypad

Ordering Information

AD-200-CY-70-MG-SPA-626-PD-C123-RH-4B-13-047-10-025-1-3/4													
Series	Class	Chassis	Function	Reader	Lever Style	Finish	Lever Cylinder	Keying Type	Handing	Battery	Backset & Latch	Strike	Door Thickness
1	2	3	4	5	6	7	8	9	10	11	12	13	14

Selections Correspond With the Numbers Above

Standard options are indicated in bold.

3 Chassis	
CY	Cylindrical
MS	Mortise
MD	Mortise Deadbolt
993R	Exit Trim – Rim/CVR
993S	Exit Trim – SVR
993M	Exit Trim – Mortise
4 Function	
70	Classroom/Storeroom
50	Office
40	Privacy
60	Apartment
5 Reader	
KP	Keypad
MG	Magnetic Stripe
MGK	Magnetic Stripe + Keypad
PR	Proximity
PRK	Proximity + Keypad
SM	Smart Card
SMK	Smart Card + Keypad
MT	Multi-Technology
MTK	Multi-Technology + Keypad

6 Lever	
SPA	Sparta
RHO	Rhodes
ATH	Athens
TLR	Tubular
<i>Available with knurled surface</i>	
7 Finish	
626	Satin Chrome
605	Bright Brass
606	Satin Brass
612	Satin Bronze
619	Satin Nickel
625	Bright Chrome
643e	Aged Bronze
626AM	Satin Chrome
8 Lever Cylinder Type	
PD	6-pin Full Cylinder
<i>See price book for other SFIC, FSIC and Less Cores options available. Compatible with Schlage, Sargent, Corbin, Medeco and Yale</i>	
9 Keyway Type	
C123	Everest
<i>See price book for other available keyway options including master keying</i>	

10 Handing	
RH	Right Handed
LH	Left Handed
<i>Field reversible</i>	
11 Battery	
4B	4AA
8B	8AA
12 Backset and Latch	
13-047	2-3/4" Backset, Deadlatch, square corner, 1-1/8" x 2-1/4"
<i>See price book for other backset and latch options</i>	
13 Strike	
Cylindrical	
10-025	1-3/16 Lip, ANSI, no box, 1-1/4" x 4-7/8"
<i>See price book for other available cylindrical strikes</i>	
Mortise Options	
10-072	1-3/16" Lip, 1-1/4" x 4-7/8" square corner, box
<i>See price book for other available mortise strikes</i>	
14 Door Thickness	
1-3/4"	
Other thicknesses available between 1-3/8" and 2-3/4"	
<i>See price book for detail</i>	

Lever styles

Standard cylinders shown, SFIC and FSIC also available.



Sparta



Rhodes



Athens



Tubular

Warm tone finishes



605
Bright Brass



606
Satin Brass



612
Satin Bronze



643e
Aged Bronze

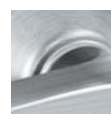
Cool tone finishes



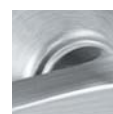
619
Satin Nickel



625
Bright Chrome



626
Satin Chrome



626AM
Satin Chrome with Antimicrobial

XceedID, ISOX Lite and ISOX are registered trademarks of XceedID Corporation. GE, CASI, and ProxLite are registered trademarks of General Electric Corporation. MIFARE, DESFire and EV1 are registered trademarks of NXP Semiconductors. HID and iCLASS are registered trademarks of HID Global. my-d is a trademark of Infineon Technologies AG. TI Tagit is a trademark of Texas Instruments. Other product names mentioned herein may be trademarks and / or registered trademarks of other companies.

