

SECTION H

Electronic Access & Releasing Devices





CHECK NEW PRODUCTS SECTION FOR NEW INNOVATIVE SOLUTIONS

Table of Contents - Electronic Access & Releasing Devices

Pushbutton Access Release Devices H1-H8

- 620/631 Series Heavy Duty Pushbuttons
- 700 Series Pushbuttons
- 740 Series Emergency Break Glass Releases

Keyswitch Access Device H9 - H10

- 650 Series Keystiches

Request to Exit Bars H11 - H12

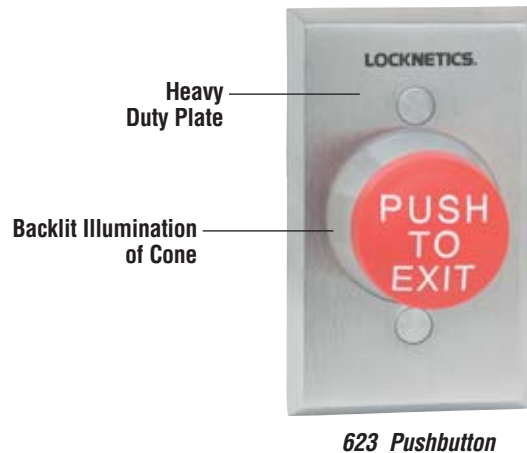
- 672 TouchBar
- 692 SmartBar™

660 Series Mini Station Control H13

Notes

Pushbutton Access and Release Devices

620 Series Heavy Duty Pushbuttons
631 Extreme Duty Pushbuttons



Schlage Locknetics 620 and 631 Series Pushbuttons offer significant installer friendly innovations: screw terminal connections for the momentary action models, easy to install L2/ILL optional PC board offering backlit illumination for the cone with green and red LEDs for monitoring purposes. Additional options include: Delayed Action, Double Pole Double Throw, Heavy Duty Plate, with several architectural finishes and extreme duty pushbuttons. Alternate Action and Narrow

Stile configurations are available. The 620 Series Pushbuttons are available in three sizes: 1-1/4", 1-5/8" Mushroom, in a variety of colors, "Push to Exit". There are two models of metal 1-1/4" button choice from: aluminum with engraved painted red "PUSH to EXIT" and new red coated aluminum with engraved "PUSH TO EXIT".

Benefits of Using Locknetics Pushbutton Access And Release Devices

- *Easy to install and operate*
- *Standard and narrow stile plates offer ultimate flexibility*
- *Multiple button configuration and finish options provide enhanced architectural appeal*

Pushbutton Access and Release Devices

620 Series Heavy Duty Pushbuttons
 631 Extreme Duty Pushbuttons

Multiple Button Configuration Available

1-1/4" Button



621 Pushbutton
 621-NS Pushbutton

1-5/8" Mushroom Button



623 Pushbutton
 623-NS Pushbutton

2-3/4" Mushroom Button



625 Pushbutton HC
 625-NS Pushbutton

1-1/4" Metal Button



631 Pushbutton
 631-NS Pushbutton

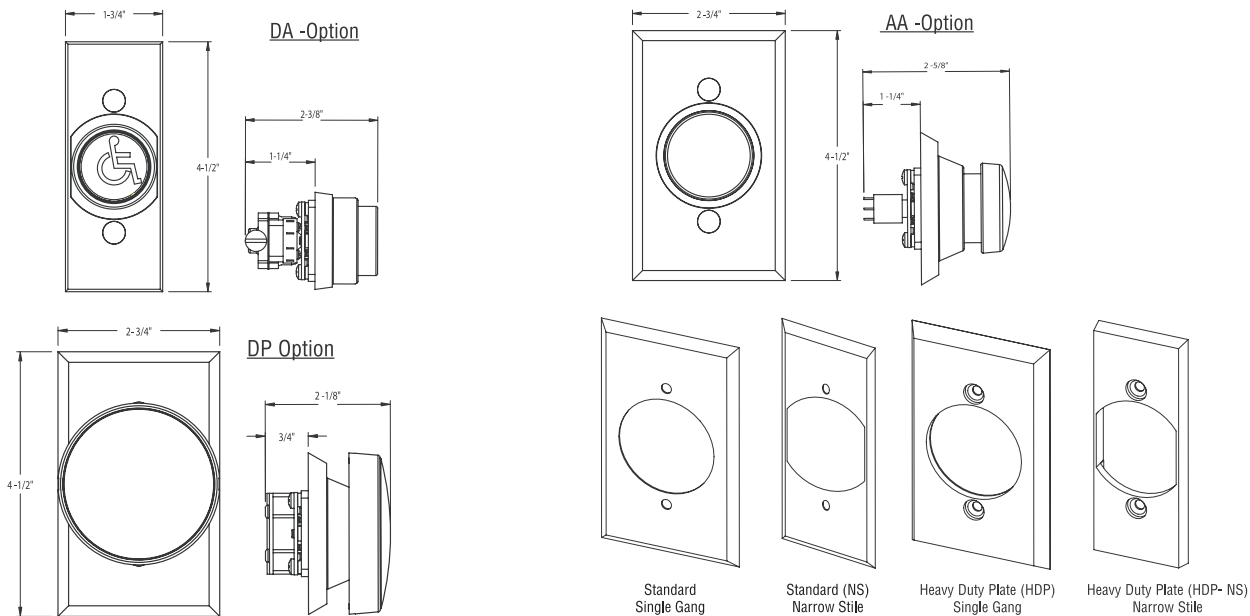
	GID-EX	GID-H	GID	RD-EX	RD	GR-EX	GR	BL-H	BK
621 621 - NS									
623 623 - NS									
625 625 - NS									
621 621 - NS	AL-EX	AL							
631 631 - NS	AL-EX	AL-RD-EX							

Pushbutton Access and Release Devices

620 Series Heavy Duty Pushbuttons
631 Extreme Duty Pushbuttons

Options

- DA** Delayed Action 0-60 seconds
- AA** Alternate Action/Maintained
- DP** Double Pole Double Throw
- L2/ILL** 3 LEDs -green/yellow/red concealed within opaque cone
- HDP** Heavy Duty Plate 1/4" thick Cast Zinc (Standard - 626 Satin Chrome Finish)



NOTE: Single Pole Double Throw (SPDT) standard dimensions featured above - DP Option.

Contact ratings with options:

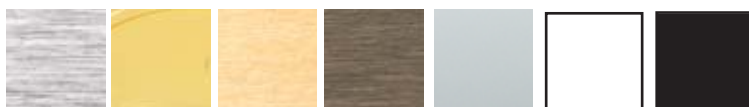
- DP : 5 amp @ 30VAC/VDC, NO and NC contacts
- AA : 6 amp @ 30VAC/VDC, NO and NC contacts
- DA : 10 amp @ 30VAC/VDC, NO and NC contacts
- Red or Green LED's, 12 and 24 volts DC

Momentary Action: standard 5 amp@250VAC

Cover Plate: Stainless steel (*standard*)

Heavy Duty plate 1/4" thick cast line cover plate with fasteners concealed by tamper resistant plugs. 626 Satin Chrome Standard finish.

Architectural Finishes



- SF-626** Satin Chrome (*standard*)
- SF-605** Bright Brass
- SF-612** Satin Bronze
- SF-613** Oil Rubbed Bronze
- SF-625** Bright Chrome
- SF-1** White Powder Coat
- SF-2** Black Powder Coat

Push Button Access and Release Devices

620 Series Heavy Duty Pushbuttons

631 Series Extreme Duty Pushbuttons

How To Order Pushbutton Access and Release Devices

623 – GID-EX – DP – 626

Select Model

Select Button

Select Options

Select Finish

1. Select Model

621	1 1/4" Button, single gang
621-NS	1 1/4" Button Narrow Stile
623	1 5/8" Mushroom Button, single gang
623-NS	1 5/8" Mushroom Button Narrow Stile
625	2 3/4" Mushroom Button, single gang
625-NS	2 3/4" Mushroom Button Narrow Stile
631	1 1/4" Metal Button, single gang
631-NS	1 1/4" Metal Button Narrow Stile

2. Select Button

GID-EX	Glow-in-the-dark "PUSH TO EXIT"
GID-H	Glow-in-the-dark HANDICAPPED SYMBOL
GID	Glow-in-the-dark
RD-EX	Red, "PUSH TO EXIT"
RD	Red
GR-EX	Green, "PUSH TO EXIT"
GR	Green
BL-H	Blue, HANDICAPPED SYMBOL
BK	Black
AL-EX-RD	Aluminum button red coated, engraved "PUSH TO EXIT"
AL-EX	Aluminum button, engraved "PUSH TO EXIT"
AL	Aluminum button

3. Select Options

DA	Delayed Action
AA	Alternate Action Maintained
DP	Double Pole Double Throw (not available with DA option)
L2/ILL	3 LEDs -green/yellow/red concealed within opaque cone (not available for 625/625-NS models)
HDP	Heavy Duty Plate-1/4" thick Cast Zinc (standard - 626 Satin Chrome Finish)

5. Select Finish

SF-626	Satin Chrome (standard)
SF-605	Bright Brass
SF-612	Satin Bronze
SF-613	Oil Satin Bronze
SF-625	Bright Chrome
SF-1	White Powder Coat
SF-2	Black Powder Coat

Pushbutton Access and Release Devices

700 Series Pushbuttons



701 Series

709 Series

Schlage Locknetics 700 Series Entry Level Pushbutton are designed to meet commercial applications. Use to egress swinging or sliding doors that are electrically or electronically locked. 700 Series Entry Level Pushbuttons are available for single gang and narrow stile applications. The 709 model, includes backlit buttons with "PUSH TO EXIT" or Handicap Symbol to meet ADA requirements.

Benefits of Using Locknetics Pushbutton Access and Release Devices

- *Standard stainless steel*
- *Momentary action (standard)*
- *7/8" red/black mushroom button*
- *2" square illuminated button*
- *Options include LEDs, alternate action - maintained (AA)*

Pushbutton Access and Release Devices

700 Series Pushbuttons

How To Order 700 Series Pushbutton Access and Release Devices

701RD – L2Select Model
Select Options

1. Select Model

701RD	7/8" Red Mushroom Button
701BK	7/8" Black Mushroom Button
701RD EX	5/8" Red Button - Engraved "PUSH TO EXIT"
701RD EX ILL	5/8" Red Button - Illuminated "PUSH TO EXIT"
709RD EX ILL	2" Red Square - Illuminated "PUSH TO EXIT"
709GR EX ILL	2" Green Square - Illuminated "PUSH TO EXIT"
709BLH ILL	2" Blue Square - Illuminated Handicapped Symbol

2. Select Options

L2	Two LEDs, red and green, dual voltage
AA	Alternate Action – Maintained (not available for 709 models)
NS	Narrow Stile plate (not available for 709 models)

Specifications:

701 Pushbutton

Contact Ratings:	5 amps @ 250 VAC
Wire Leads:	20 awg – 6" long

709 Pushbutton

Contact Ratings:	10 amps @ 250 VAC
Wire Leads:	20 awg – 8" long

Input requirements with LED option

Voltage:	12/24 VDC
Current Draw:	30 mA
Wire Leads:	24 awg – 6" long

Input requirements with ILL option

Voltage:	12 VDC for 709 series only 24 VDC for 701/709 series
-----------------	---

Pushbutton Access and Release Devices

740 Series Emergency Break Glass Releases



740
Standard Break Glass
Assembly



741
Standard Break Glass
Assembly with LED
Indicator



742
Standard Break Glass
with Audible Alarm

Schlage Locknetics 740 Series Emergency Break Glass Releases are designed for use as emergency releases of non-designated egress doors such as in individual and partitioned laboratories, secluded testing areas, or other isolated work rooms that are purposely provided with exit doors. In perimeter protection systems that involve the central control of electric locking devices, an on-site emergency release may be required. The "break glass" concept may be preferred over the pull station, because it is less vulnerable to misuse or tamper actuation.

The 740 Series Emergency Break Glass units consist of a replacement Break glass cartridge, that normally holds the plunger-activated switch depressed, until the cartridge lens is broken. When the lens is broken the plunger moves forward and alters the switch contact position. Four replacement lens disks are provided with each assembly. The small hammer is attached to the Break Glass Assembly via a mounting clip along with a 12" chain, to insure it will not detach from the assembly.

Benefits of Using Locknetics 740 Series Emergency Break Glass Releases

- Surface mount in a standard 3-gang enclosure
- Compatible with all Fail Safe type electronic locking systems
- An effective alternative to the standard pull box
- Stainless steel standard finish
- Models with LED or audible alarm
- Clearly marked signage indicating purpose of the release

Pushbutton Access and Release Devices

740 Series Emergency Break Glass Releases

How To Order 740 Series Emergency Break Glass Releases

1. Select Model

- 740** Includes break glass switch assembly and hammer mounted to a silk-screened 3-gang stainless switch plate
- 741** Includes an attached indicator light with red lens
- 742** Includes a Sonalert horn for 6-24 VDC operation attached to the plate

Specifications:

Contact Box Form "Z" switch
Contact rating: 6A @ 120 VAC
Normally Open (NO)
Normally Closed (NC) contacts with color-coded leads

LED: 12/24 VDC
Horn: 3-18 mA
Input: 6-28 VDC
Decibels: 80 dB @ 2ft.

Keyswitch Access Devices

Patent #: 6689972

650 Series Keyswitches

Magnetic Spring Design
provides ultimate
installation flexibility



Available in
six architectural finishes

5AMP@250VAC,
dual voltage,
SPDT contacts



653 Single Gang

653-NS Narrow Stile

Schlage Locknetics 650 Series Keyswitches utilize an innovative magnetic spring design which allows installers to configure both clockwise and counterclockwise key turn direction as well as momentary or maintained action in seconds. Single gang and narrow stiles are available with numerous options which include: Heavy Duty Plate, Weather Resistant Cover (single gang size only), 2 LED lights - green/red, Anti-Tamper Switch and Schlage

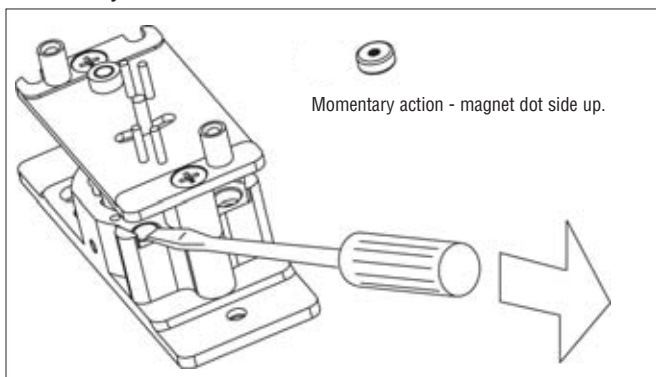
Everest Cylinder. In addition to the standard (626) Satin Chrome finish, there are five additional architectural finishes to choose from.

Benefits of Using Locknetics Keyswitch Access Devices

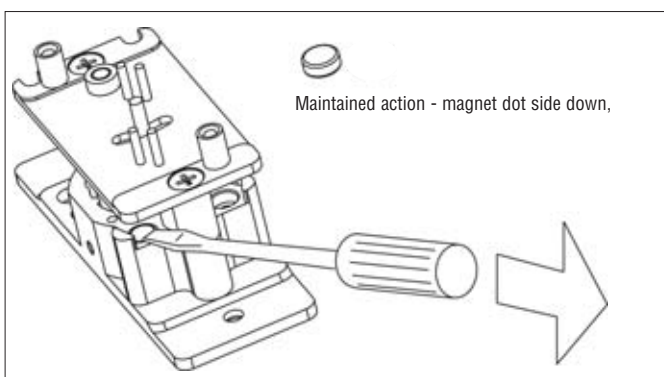
- *Easy to install and maintain*
- *Single gang and narrow stile offer ultimate flexibility*
- *Multiple options available for a wide variety of applications*

Innovative magnetic spring technology allows installers to configure models in seconds

Momentary Action



Maintained Action



Keyswitch Access Devices

650 Series Keyswitches

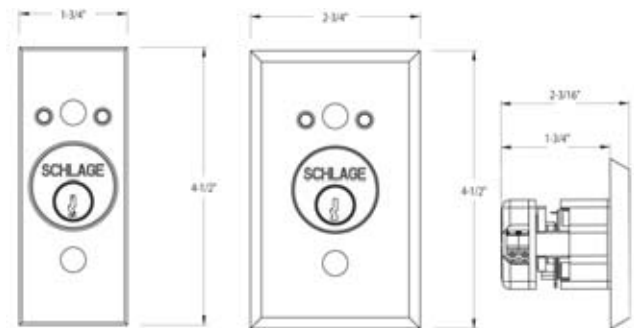
How To Order 650 Series Keyswitches

653-04 – ATS – SF-605

Select Model	
Select Option	
Select Finish	

1. Select Model

- 653-04** SPDT maintained single direction
- 653-05** SPDT momentary single direction
- 653-14** DPDT maintained single direction
- 653-15** DPDT momentary single direction
- 653-1414** (2) DPDT maintained bi-direction
- 653-1415** DPDT maintained x DPDT momentary
- 653-1515** (2) DPDT momentary bi-direction
- 653-041** SPDT maintained x key remove one position
- 653-0404** (2) SPDT maintained bi-direction
- 653-0405** SPDT maintained x SPDT momentary
- 653-141** DPDT maintained x key remove one position
- 653-0505** (2) SPDT momentary bi-direction



653-NS Narrow Stile

653 Single Gang

2. Select Option

- L2** 2 LEDs green and red, dual voltage
- NS** Narrow Stile - stainless steel plate (1³/₄" x 4¹/₂")
- ATS** Anti-Tamper Switch
- HDP** Heavy Duty Plate 1/4" thick cast zinc (standard 626 Satin Chrome Finish with anti tamper plugs)
- WP** Weather Resistant Cover fits 1¹/₈" cylinder only (not available with NS and L2 Options)
- CYL** 1-1/4" Schlage Everest® Mortise Cylinder & 1/8" spacer ring (keyed different)
- CYL-KA** 1-1/4" Schlage Everest Mortise Cylinder & 1/8" spacer ring (keyed alike)

Note: 650 Series Keyswitches operate with either a 1-1/8" or 1-1/4" cylinder having a straight type cam. 1-1/4" cylinders require a 1/8" blocking/spacer ring (included with the CYL and CYL-KA options).

3. Select Finish

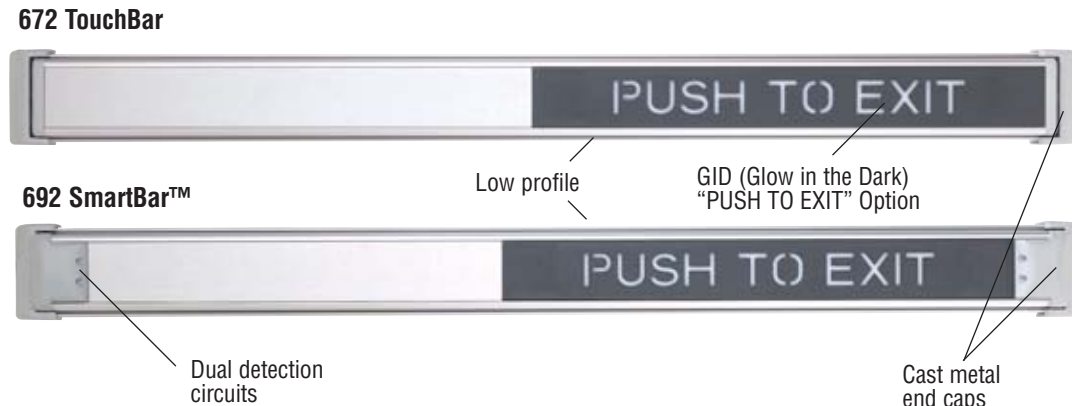
- SF-626** Satin Chrome (*standard*)
- SF-605** Bright Brass
- SF-612** Satin Bronze
- SF-613** Oil Satin Bronze
- SF-625** Bright Chrome
- SF-2** Black Powder Coat

Specifications:

- Standard keyswitch**
- 5 amp@250 VAC,
- dual voltage,
- SPDT contacts
- ATS** switch closes when cover is on 0.025A@28VDC
- LED** Indicator Lights operate at 12/24 VDC 0.025A@28VDC

Request to Exit Bars

672 TouchBar and 692 SmartBar™



692 SmartBar

The 692 SmartBar is an electronic switching device with no moving parts, which serves as a non-latching request to exit bar at an egress door. It allows one motion egress at doors equipped with electromagnetic or electronic locks, with "no prior knowledge" required by the user. Touching the Smartbar at any point on the bar activates internal circuitry which controls power to the locking device. No moving parts results in low maintenance and long life.

The 692 SmartBar provides two directionally opposed infrared detection circuits to sense an exit request. As a person touches the bar the light beam is broken. The patent pending redundant system provides a high level of life safety and peace of mind to the end user.

An audible alarm is standard. This feature provides a security alarm to alert when there is a prolonged unlocked condition caused by a continued break in the light beam. This feature is desirable in applications requiring monitoring of security conditions or delayed egress.

- Optional Lighted "Push to Exit"
- Dual infrared detection circuits – patent pending
- No Moving Parts - One Motion Egress
- Audible alarm standard, alerts prolonged unlock condition
- DPDT relay standard - signals access control panel or auxiliary device

Benefits of Using Request to Exit Bars

- Heavy duty aluminum extrusion with cast metal end caps - Maximum durability
- Field reversible, field sized
- Quick install brackets / Universal mounting system for aluminum, hollow metal and wood doors
- Low profile for greater clearance through door
- "PUSH TO EXIT" signage designates opening
- Glow in the Dark (GID) "PUSH TO EXIT" option - Locknetics exclusive

672 TouchBar

The 672 TouchBar is a request to exit device which releases electromagnetic or electronic locks when the bar is depressed. Designed for easy installation, smooth operation and maximum durability, the 672 TouchBar offers unmatched features and user benefits.

The "Push to Exit" signage provides an obvious exit indication for building occupants and the simplified design allows for reversing the signage in the field. The new pivoting bar design allows 1/4" activation and the 2 1/4" low profile provides ample clearance through the door - notably less than others in the industry.

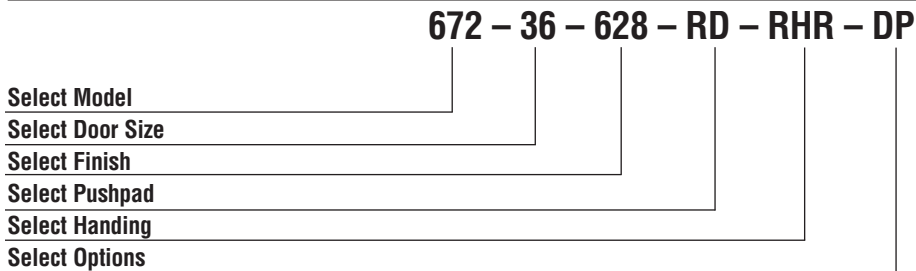
The device's rugged cast ramped end caps deflect blows and provide extra durability. With its easy installation and wiring the 672 TouchBar Request to Exit Device is another solution in the Locknetics product offering.

- 1/4" Movement activates immediate release
- Optional lighted "PUSH TO EXIT"
- SPDT (**standard**)
- DPDT available for monitoring purposes

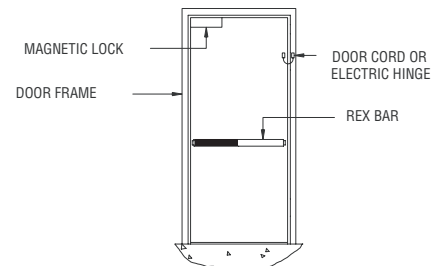
Request to Exit Bars

672 TouchBar and 692 SmartBar™

How To Order Request to Exit Bars



- Select Model
- Select Door Size
- Select Finish
- Select Pushpad
- Select Handing
- Select Options



1. Select Model

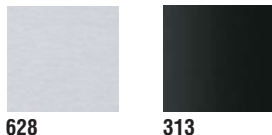
- 672** for aluminum, hollow metal and wood doors
- 692** for aluminum, hollow metal and wood doors

2. Select Door Size

- 36"
- 42"
- 48"
- SP-X" (X"= door width from 26" to 48")

3. Select Finish

- 628** Satin Anodized Aluminum (*standard*)
- 313** Dark Satin Bronze Anodized Aluminum



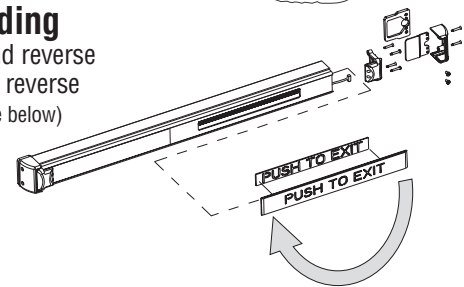
4. Select Pushpad

- RD** Black with red "PUSH TO EXIT"
- BRG** Black with back lit "PUSH TO EXIT" red turns to green with activation
- GID** Black with Glow in the Dark "PUSH TO EXIT"



5. Select Handing

- RHR** Right hand reverse
 - LHR** Left hand reverse
- (Field reversible, see below)



Reversing the "PUSH TO EXIT" sign - Field Handing

Remove End Cap(s) and Beam housing (692) or Pushpad End (672). Remove "PUSH TO EXIT" Sign. Reverse Switch position and Circuit Board (only with BRG option). Rotate "PUSH TO EXIT" sign and re-insert. Re-install beam housing and end cap(s).

6. Select Options

- DP** Double pole, double throw switch (standard feature for 692 SmartBar)
- WD*** Sexnut door kit for heavy duty wood door and hollow metal door applications

Armored Door Cords for 672 TouchBar

- 788-12** 12"x3/8" armored door cord (less wire) inswinging (standard with the 692 SmartBar)
- 788-18** 18"x3/8" armored door cord (less wire) outswinging

Armored Door Cords for 692 SmartBar

- 798-12** 12"x1/2" armored door cord (less wire) inswinging
- 798-18** 18"x1/2" armored door cord (less wire) outswinging

* NOTE: Screw pack supplied has self-drilling and self-tapping screws for aluminum and wood door applications; rivnuts for hollow metal door applications



672 TouchBar Electrical Specifications:

- Input Voltage: 12 or 24 VDC maximum current draw .25 Amps
- Switch: SPDT contacts rated 3 Amps @ 30 VDC 6A 125-250 VAC
- Wiring: 3 Conductor Cable - 20 AWG - 6 ft. long (*standard*)
6 Conductor Cable - 20 AWG - 6 ft. long available with BRG option or DPDT option (Both cables provided with BRG/DPDT combination)

692 SmartBar™ Electrical Specifications:

- Input Voltage: 12 or 24 VDC maximum current draw .5 Amps
- Switch: DPDT contacts rated 4 Amps @ 30 VDC
- Wiring: 8 Conductor Cable - 20 AWG - 6ft. long (*standard*)

660 Series Mini Station Control



660-PB

The 660 Series Mini Station Control is designed for concealed desk application. Used to release an electric or electronic locking mechanism from a remote location. The 660 Series Mini Station Control is mounted in a mini aluminum box, 2" x 2" x 1". The 660 is available with a momentary action pushbutton or maintained action toggle switch. Both can be surface mounted. A typical application is under a desk to release an entrance door.

Benefits of Using 660 Series Mini Station Control

- *Surface mount application*
- *Choice of maintained or momentary action*
- *Compact size*
- *Recommended for concealed desk application*

How To Order 660 Series Mini Station Control

1. Select Model

- | | |
|---------------|---|
| 660-T4 | SPDT Maintained Toggle |
| 660-PB | SPDT Momentary Pushbutton (DPDT Optional) |

Specifications:

- Switch contact rating:** 6 AMP @ 128 VAC
Length: 2"
Width: 2"
Height: 1"