



## *Integrated Access Control Solution with AD-400 Wireless and AD-300 Hardwired Locks and DNA Fusion™ by Open Options*

The AD-Series Electronic Locking platform is designed to be open and flexible. With its open architecture, the AD-Series can be seamlessly integrated into the Open Options access control system, DNA Fusion™.

Schlage AD-Series electronic locks combine the components typically found around the door; such as the reader, door position switch and the request-to-exit switch into one device; which simplifies installation and saves money.

Schlage AD-Series electronic locks are available in hardwired and wireless configurations. For new construction, the AD-300 hardwired locks provide all of the benefits of a traditional access control solution. For existing facilities, the AD-400 wireless locks provide real time access control with DNA Fusion™ without having to run wires direct to each opening.

The AD-Series can be customized with seven (7) different credential reader options including keypad, magnetic stripe, and multi-technology which can read both proximity and smart credentials. All card readers are available with keypad for multi-factor authentication, and all credential options are supported in the DNA Fusion™ software. Designed to be modular, readers can easily be upgraded in the future to meet your changing credential needs.



### **System Capabilities – Summary**

- DNA Fusion™ System Capabilities:
  - Open platform access control system
  - Non-proprietary Mercury Security panels
  - Network Centric architecture - All controller panels are native IP
- AD-400 Wireless Applications:
  - SSP-EP Controller supports up to 16 PIM400-485s, 8 per port, and a maximum of 64 AD-400 locks
  - IP Addressable PoE PIM400-1501 supports up to 16 AD-400 devices
  - 900 MHz communication between AD-400 and PIM400 for secure, AES-128 bit encrypted transmission
  - Patent-pending Wireless lockdown feature (10 seconds or less), preserves up to 2 year battery life
- AD-300 Hardwired Applications:
  - SSP-EP Controller supports up to 16 AD-300 locks, 8 per port
  - Field configurable fail safe/fail secure
- AD-400 and AD-300 devices can be installed in the same system, and even on the same port
- AD-Series available with seven reader options:
  - Magnetic Stripe, Multi-Technology (Proximity & Smart)
  - All card readers available + PIN
- Cylindrical, Mortise, and Exit Trim chassis
- Wireless accessories available for remote, gate, elevator, and portable (muster) applications.
- AD-Series meets ANSI/BHMA A156.25, ANSI/BHMA Grade 1 requirements and is UL10C & UL294 Listed

## DNA Fusion™ with AD-400 Wireless and SSP-EP

- SSP-EP supports a maximum of 16 PIM400-485s. (Limit 8 per port on SSP-EP)
- SSP-EP will support a maximum of 64 doors spread across a maximum of 16 PIM400-485s.

## DNA Fusion™ with AD-400 Wireless and PIM400-1501

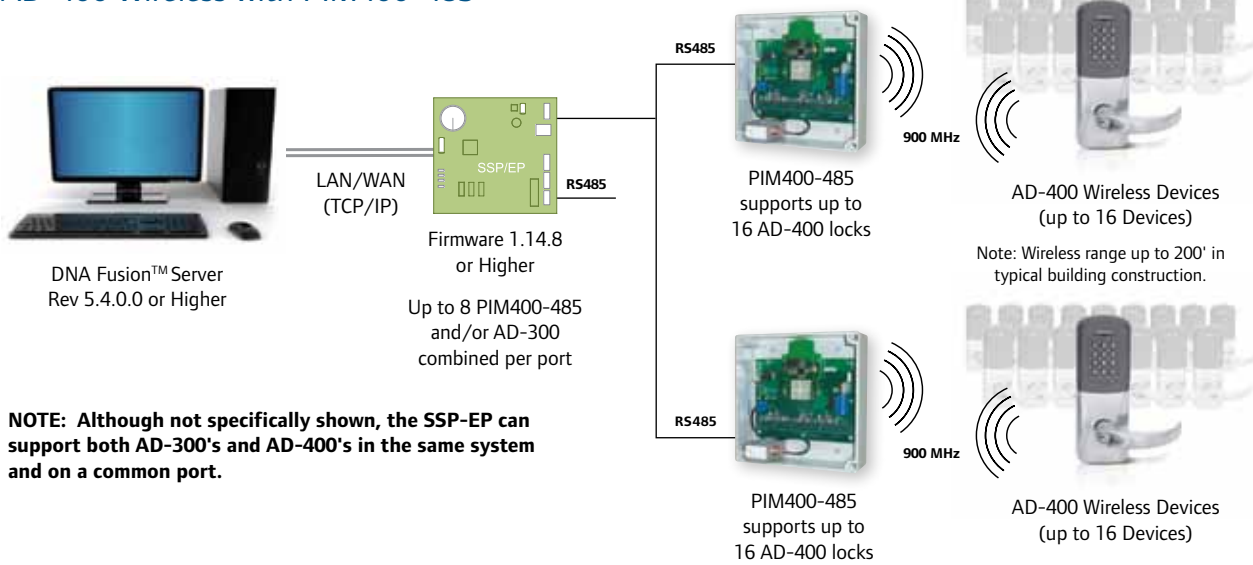
- PIM400-1501 supports up to 16 AD-400's

## DNA Fusion™ with AD-300 Hardwired and SSP-EP

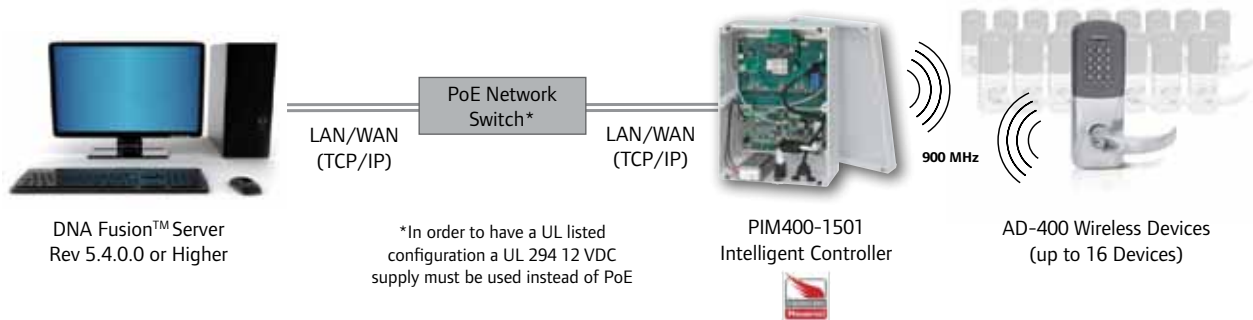
- SSP-EP supports a maximum of 16 AD-300 locks (8 per port of SSP-EP)
- SSP-EP with OptoHub, an 8 port Optically Isolated Multiplexer, provides a Star configuration for communications.

SYSTEM ARCHITECTURE

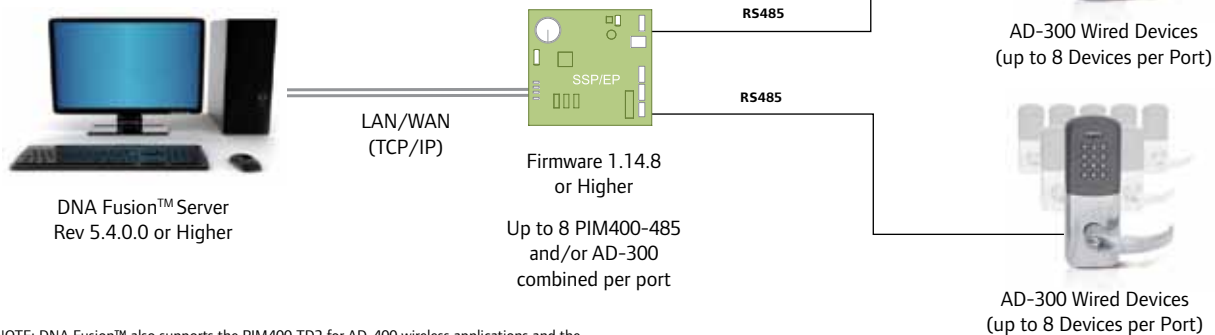
### AD-400 Wireless with PIM400-485



### AD-400 Wireless with PIM400-1501



### AD-300 Hardwired with RS-485



NOTE: DNA Fusion™ also supports the PIM400-TD2 for AD-400 wireless applications and the PIB300-2D for AD-300 hardwired applications. Both the PIM400-TD2 and the PIB300-2D are limited to two locks each. FIPS201 compliant Wiegand options are available with specific required components.

<b>System Capabilities</b>			
	<b>AD-400</b>	<b>AD-400</b>	<b>AD-300</b>
	PIM400-485	PIM400-1501	Direct RS485
<b>Features</b>			
Maximum Number of AD devices supported by controller	Up to 64	Up to 16	up to 16
Maximum Number of devices per PIM400	16	16	N/A
Maximum Number of PIM400s and/or AD-300s per RS-485 Port (2 RS485 ports per SSP-EP)	up to 8	N/A	up to 8
Communication to & from controller	RS485	TCP/IP	RS485
Access control decision made by intelligent controller or by lock database	Intelligent Controller		
Configuration and Linking done via HOST or HHD (Handheld Device)	HHD		
<b>Other System Requirements</b>			
Reader Interface / Gateway	No		
<b>Credentials (see supported card formats to the right)</b>			
Keypad Only	Yes		
Magnetic Stripe Card	Yes		
Multi-Tech - 125 kHz Prox & 13.56 MHz Smart Card	Yes		
PIV & PIV-I Card Compatible*	Yes†		
Card + PIN	Yes		
<b>Status Monitors</b>			
Request to Exit	Yes		
Door Position Switch	Yes		
Interior Cover Tamper Guard	Yes		
PIM400/PIB300 Tamper Guard	Yes		
Lock/Unlock Status Clutch Position	No		
Mechanical Key Override (ATK)	Yes		
Request to Enter	No		
Low Battery Status	Yes	Yes	N/A
Battery Voltage Level	No	No	N/A
Communication Status	Yes		
Remote Lockdown (from host)	Yes (<10 secs)	Yes (<10 secs)	Yes
Remote Unlock (from host)	Yes (<10 secs)	Yes (<10 secs)	Yes
Deadbolt Position	No		
Interior Push Button	No		
<b>Lock Functions</b>			
Classroom/Storeroom	Yes		

**Supported Proximity Cards (125 kHz):**

- AWID®
- GE/CASI®
- HID®
- Schlage
- XceedID®

**Supported Smart Cards (13.56 MHz):**

- MIFARE®
- MIFARE DESFire™ EV1
- PIV & PIV-I Compatible\*

**Supported Smart Cards (13.56MHz) - Reads Card Serial Number Only:**

- HID iClass®
- MIFARE DESFire®

**Notes:**

\* FIPS201 Compliant Option:  
The AD-Series can be used in application which require approval by the US Federal Government under HSPD-12 for FIPS 201 Compliance. Specific components are required, please see the AD-401 data sheet and AD-301 data sheet for complete details.

† 75 bit format output default. Configurable to other output formats.

**AD-Series Credential Reader Compatibility:**



- Multi-Technology
  - Proximity
  - Smart Card
- Multi-Technology
  - Proximity
  - Smart Card
- Magnetic Stripe
  - KEYPAD
- Magnetic Stripe
- Magnetic Stripe
  - KEYPAD
- Magnetic Stripe (Swipe)
- Magnetic Stripe (Swipe)
- Keypad



- Handheld Device (HHD)  
Used to initialize, configure, and test AD-Series Devices

AD-Series Electronic Locks from Schlage are built from the ground up to provide more options, more functionality and more compatibility than any other solution on the market today. Designed to suite with the most popular lever styles and finishes, Schlage AD-Series locks can be configured to accept most major key systems.



**Mortise Lock**  
(AD-300/400-MS)



**Cylindrical Lock**  
(AD-300/400-CY)



**Exit Device Trim (AD-300/400-993)**  
The AD-300 and AD-400 exit trims are exclusively compatible with exit devices made by Ingersoll Rand when using the low current request to exit switch (RX-LC part # 050281 for Von Duprin 98/99 & Von Duprin 22/22F Rim/SVR devices & part # 650359 for Falcon 25 Rim devices)

### Configure Your Lock:

We have created a web-based product selector tool that can help you configure your AD-Series lock to meet your needs. To check out the tool, please visit [www.schlage.com](http://www.schlage.com).



Cylinder Compatibility	Full Size (key-in-lever 6 pin)	Full Size (key-in-lever 7 pin)	FSIC (6 & 7 pin)	SFIC (6 & 7 pin)
Schlage	●		●	●
Falcon®	▲	◆		▲
Sargent® (10L + 11L Full Size)	▲		▲	▲
Corbin Russwin®			▲	▲
Yale® (also includes Medeco 31 *0100 FSIC)			▲	▲
Best®				▲

● = with cylinder or less cylinder options      ▲ = less cylinder only  
◆ = less cylinder only, only with Sparta and Rhodes levers      Note: See pricebook for specific configurations.

### Lever styles

Standard cylinders shown, SFIC and FSIC also available.



Sparta



Rhodes



Athens



Tubular

### Warm tone finishes



605  
Bright Brass



606  
Satin Brass



612  
Satin Bronze



643e  
Aged Bronze

### Cool tone finishes



619  
Satin Nickel



625  
Bright  
Chrome



626  
Satin Chrome



626AM  
Satin Chrome  
with Antimicrobial

For additional information contact Open Options:  
877-818-7001 or [www.openoptionsinc.com](http://www.openoptionsinc.com)

Schlage, the Schlage logo, XceedID, bright blue, aptiQ, Von Duprin, Falcon, the Ingersoll Rand logo and Ingersoll Rand are trademarks of Ingersoll Rand plc, its subsidiaries or affiliates. MIFARE is a trademark of NXP B.V. HID and iCLASS are trademarks of HID Corporation. Corbin Russwin is a trademark of Corbin Russwin, Inc. Sargent is a trademark of Sargent Manufacturing Company. Yale is a trademark of Yale Security, Inc. Best is a trademark of Stanley Black & Decker. All other trademarks are the property of their respective owners.

877-671-7011 • [securitytechnologies.ingersollrand.com](http://securitytechnologies.ingersollrand.com)

 **Ingersoll Rand**  
Security Technologies

©2012 Ingersoll Rand 005097 03/12